



南屋科技（广州）有限公司
Nanwu Technology (Guangzhou) Co., Ltd

NNC9071180 20Ah电池产品规格书
Lithium-ion NNC 9071180 20Ah
Cell Product Specification

File No:

Version: A1

NNC9071180 20Ah锂离子电池

Lithium-ion NNC9071180 20Ah

产品规格书

Product Specification

产品型号 Product Model: NNC9071180 20Ah

文件签署栏

Document Signing Column

制表 Prepared by	审核 Checked by	批准 Approved by
M	/	ZG



南屋科技（广州）有限公司
Nanwu Technology (Guangzhou) Co., Ltd

NNC9071180 20Ah电池产品规格书
Lithium-ion NNC 9071180 20Ah
Cell Product Specification

File No:

Version: A1

文件变更履历表
Record of Document Revision

更改日期 Modification Date	更改后 版本 Revised Version	文件更改 单号 Document Number	变更内容描述 Revised Content	更改人 Author
2024.06.05	A1		版本更新	M



目录 Content

1. 适用范围 Application Scope	4
2. 产品型号 Product Model	4
3. 产品尺寸 Product Size	4
4. 产品规格 Product Specification	5
5. 电池性能 Cell Performance	7
6. 外观检查 Visual Inspection	13
7. 标准测试环境 Standard Test Conditions	13
8. 包装 Packaging	13
9. 标识 Identification	13
10. 存储及其他事项 Storage and Others	14
11. 保质期及产品责任 Warranty Period and Product Liability	14
12. 文件有效期 Validity Period of Documents	14
13. 保密 Confidentiality	14
14. 警告及注意事项 Warnings and Cautions	14

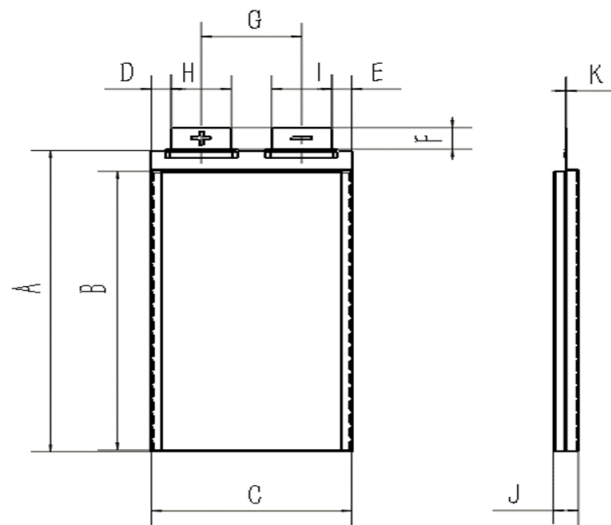
1. 适用范围 Application Scope

本产品规格书描述了NNC907118020Ah锂离子电池的性能指标。

This product specification describes the performance of NNC907118020Ah Lithium-ion Batteries.

2. 产品型号 Product Model

NNC9071180 20Ah



3. 产品尺寸 Product Size

项目 Item	描述 Description	尺寸 Dimension
A	电芯总高 total cell height	180±2 mm
B	主体高度 body height	165.5±1 mm
C	主体宽度 body width	71±1.0 mm
D	正极耳到侧边距离 distance from cathode tab to side	8.0±0.2 mm
E	负极耳到侧边距离 Distance from anode tab to side	8.0±0.2 mm
F	极耳高度 tab height	15±1 mm
G	中心距 center distance	33±0.5 mm
H	正极耳宽度 cathode tab height	22±0.2mm
I	负极耳宽度 anode tab height	22±0.2mm
J	电芯厚度（50%SOC） cell thickness	8.8±0.2mm
K	极耳厚度 tab thickness	0.2±0.02mm



4. 产品规格 Product Specification

序号 NO.	项目 Items	技术指标 Specifications	
1	典型容量 Typical Capacity	19.6 Ah@1C (20A)	
	标称容量 Nominal Capacity	20Ah@0.2C (4A)	
2	标称电压 Nominal Voltage	3.65V	
3	充电终止电压 Charging Cut-Off Voltage	4.3V	
4	放电终止电压 Discharging Cut-Off Voltage	2.7V	
5	充电方法 Charging Method	标准充电 Standard charge 0.2C恒流充电至4.3V, 再4.3V恒压充电至截止电流0.02C, 充电时间330min 0.2C constant current charge to 4.3V, then constant voltage 4.3V charge until charged current reduced to 0.02C, the charging time is 330min	
		快速充电 Fast charge 1C恒流充电至4.3V, 再4.3V恒压充电至截止电流0.02C, 充电时间70min 1C constant current charge to 4.3V, then constant voltage 4.3V charge until charged current reduced to 0.02C, the fast charging time is 70min	
6	放电方法 Discharging Method	标准放电电流 Standard Discharge Current 1C	
		最大持续放电电流 Max. Continuous Discharge Current 5C	
		最大脉冲放电电流 Max. Pulse Discharge Current 10C(≤3S)	
7	循环寿命 Cycle Life	≥500次 (25℃±3℃, 0.5C/1C) ≥500cycles (25℃±3℃, 0.5C/1C)	
8	工作温度 Operating Temperature	0℃~45℃, max.90%RH	充电 Charging
		-40℃~60℃, max.90%RH	放电 Discharging
	工作环境&最大充电电流 Max. Charging Current & Operating Environment	0℃~15℃	0.2C充电到4.3V 0.2Ccharge to 4.3V
		15℃~35℃	1C充电到4.3V 1Ccharge to 4.3V
	35℃~45℃	0.5C充电到4.3V 0.5Ccharge to 4.3V	



南屋科技（广州）有限公司
Nanwu Technology (Guangzhou) Co., Ltd

NNC9071180 20Ah 电池产品规格书
Lithium-ion NNC 9071180 20Ah
Cell Product Specification

File No:

Version: A1

9	存储温度 Storage Temperature	-20℃~45℃	短期存储（1个月） Short-term(one month)
		-20℃~35℃	长期存储（6个月） Long-term(six months):
10	存储湿度 Store Humidity	≤85%RH	
11	能量密度 Energy Density	300Wh/Kg	
12	内阻 Internal Resistance	≤2mΩ	
13	重量 Weight	245±3.0 g	



南屋科技（广州）有限公司
Nanwu Technology (Guangzhou) Co., Ltd

NNC9071180 20Ah电池产品规格书
Lithium-ion NNC 9071180 20Ah
Cell Product Specification

File No:

Version: A1

5. 电池性能 Cell Performance

5.1 电化学性能 Electrochemical Characteristics

号 NO.	项目 Items	标准 Criteria	测试方法 Test Methods
1	循环寿命 Cycle Life	0.5C/1C 容量≥初始 循环容量×80%（500 周） Capacity ≥ Initial Capacity ×80% （500 cycles）	1.在 1 标准大气压，环境温度 23±2℃，相对湿度为 ≤85%RH 的条件下，0.5C 恒流恒压充电到 4.3V，截止电流 0.02C，搁置30min; 2.以 1C 恒流放电至2.7V，搁置30min; 3.重复上述步骤，直至循环容量衰减到初始循环容量的 80%； Under the condition of 1 standard atmospheric pressure, ambient temperature 23±2℃ , relative humidity ≤ 85%RH,0.5C constant current constant voltage charged to 4.3V, cut-off current 0.02C, 30min-rest; Discharged at 1C constant current to 2.7V, 30min-rest; Repeat the above steps until the cycle capacity decays to 80% of the initial capacity.
2	高温放电	容量≥25℃容量×90% Capacity ≥ Discharge capacity at 25℃×90%	1.温度23±2℃的条件下，0.5C恒流恒压充电至4.3V，电流降为0.02C时充电结束； 2.在55℃±3℃放置 6h； 3.以1C放电至终止电压2.7V，记录其放电容量。 Under the condition of ambient temperature 23±2℃, charge to 4.3V at 0.5C standard constant current constant voltage, cut-off current 0.02C ; the battery is placed at 55± 3 °C for 6h,and discharge at 1C to the cut-off voltage 3.0 V.
3	-40℃ 低温放电 性能 Low temperature discharge at -40℃	容量≥25℃容量×70% Capacity ≥ Discharge capacity at 25℃×70%	1.温度23±2℃的条件下，0.5C恒流恒压充电至4.3V，电流降为0.02C时充电结束； 2.在 -40℃±3℃放置 12h； 3.以1C放电至终止电压2.2V，记录其放电容量。 Under the condition of ambient temperature 23±2℃, charge to 4.3V at 0.5C standard constant current constant voltage, cut-off current 0.02C ;the battery is placed at -40± 3 °C for 12h, and discharged to 70% of the cut-off voltage 2.2V at 1C constant current.



南屋科技（广州）有限公司
Nanwu Technology (Guangzhou) Co., Ltd

NNC9071180 20Ah电池产品规格书
Lithium-ion NNC 9071180 20Ah
Cell Product Specification

File No:
Version: A1

4	<p>Rate discharge</p> <p>倍率放电</p>	<p>5C 放电容量 > 0.5C 放电容量 × 90%，且温升不超过 70°C</p> <p>5C discharge capacity > 0.5C discharge capacity × 90%</p>	<p>1. 温度 23°C±2°C 的条件下，0.5C 恒流恒压充电至 4.3V，电流降为 0.02C 时充电结束；</p> <p>2. 搁置 30min；</p> <p>3. 分别以 0.2C、0.5C、1C、2C、3C、5C 放电至终止电压 2.7V，并监控表面温度。</p> <p>Under the condition of ambient temperature 23±2°C, charge to 4.3V at 0.5C standard constant current constant voltage, cut-off current 0.02C, 30min-rest, and then discharge at 0.2C、0.5C、1C、2C、3C、5C to the cut-off voltage of 2.7V, and monitor the surface temperature.</p>
5	<p>25°C 荷电保持与恢复</p> <p>Charge retention and recovery at 25°C</p>	<p>剩余容量 ≥ 典型容量 * 85%</p> <p>恢复容量 ≥ 典型容量 * 90%</p> <p>Capacity retention ≥ Typical Capacity × 85%</p> <p>Recovery capacity ≥ Typical Capacity × 90%</p>	<p>1. 温度 23±2°C 的条件下，0.2C 恒流恒压充电到 4.3V，截止电流 0.02C 充满电；</p> <p>2. 电池在 25°C 的温度箱中存储 28 天</p> <p>3. 以 1C 电流放电至 2.7V，测量剩余容量；再 0.2C 充 1C 放测量电池的恢复容量。可循环三次，当有一次达到标准，即达到要求。</p> <p>Under the condition of ambient temperature 23±2°C, charge to 4.3V at 0.2C standard constant current constant voltage, cut-off current 0.02C. The Cell is stored in an oven at 23±2°C for 28 days. Discharge at 1C current to 2.7V to measure the remaining capacity; Then 0.2C charge 1C discharge measure the recovery capacity of the battery. It can be cycled three times, when one reaches the standard, that is, it meets the requirements.</p>



南屋科技（广州）有限公司
Nanwu Technology (Guangzhou) Co., Ltd

NNC9071180 20Ah电池产品规格书
Lithium-ion NNC 9071180 20Ah
Cell Product Specification

File No:

Version: A1

6	60°C荷电保持与恢复 Charge retention and recovery at 60°C	<p>剩余容量≥典型容量*80%</p> <p>恢复容量≥典型容量*85%</p> <p>Capacity retention ≥ Typical Capacity × 80%</p> <p>Recovery capacity ≥ Typical Capacity × 85%</p>	<p>1. 温度23°C±2°C的条件下，0.2C恒流恒压充电到4.3V，截止电流0.02C充满电；</p> <p>2. 电池在60°C的温度箱中存储7天</p> <p>3. 在23°C±2°C温度条件下，以1C电流放电至2.7V，测量剩余容量；再0.2C充1C放测量电池的恢复容量。可循环三次，当有一次达到标准，即达到要求。</p> <p>Under the condition of ambient temperature 23±2°C, Charge to 4.3V at 0.2C standard constant current constant voltage, cut-off current 0.02C, The cell is stored in an oven at 60 ±2°C for 7 days, Discharge at 1C current to 2.7V to measure the remaining capacity; Then 0.2C charge 1C discharge measure the recovery capacity of the battery. It can be cycled three times, when one reaches the standard, that is, it meets the requirements.</p>	
7	贮存性能 Storage performance	<p>放电容量≥典型量×100%</p> <p>贮存3个月≥90%</p> <p>贮存6个月≥85%</p> <p>贮存12个月≥80%</p> <p>Capacity ≥ Typical Capacity × 100%</p> <p>3 months ≥ 90%</p> <p>6 months ≥ 85%</p> <p>12 months ≥ 80%</p>	<p>测量电池初始容量，电池标准充电后，记录贮存前的初始状态，分别在室温贮存3个月、6个月、12个月，测量电池的最终状态，然后0.2C/1C循环3次记录电池放电容量。</p> <p>Measure initial status and initial capacity. Standard charge and store for 3 months, 6 months and 12 months respectively. Measure the final capacity, then charge at 0.2C and discharge at 1C for 3 cycles, and measure the discharge capacity.</p>	



南屋科技（广州）有限公司
Nanwu Technology (Guangzhou) Co., Ltd

NNC9071180 20Ah 电池产品规格书
Lithium-ion NNC 9071180 20Ah
Cell Product Specification

File No:

Version: A1

5.2 安全性能 Safety performance

序号 NO.	项目 Items	标准 Criteria	测试方法 Test Methods
1	过充电 Overcharge	不起火、不爆炸 No fire No explosion	电芯放电至终止电压后，用0.5C电流和4.65V的极限电压充电，电压达到最大值后，继续以该电压值恒压充电，当充电时间大于7h或者温度降至比峰值低20%时终止测试。 After discharge to limit voltage, charged at constant current of 0.5C and constant voltage of 4.65V, While voltage reaches to themax ,continue to charge at constant voltage at this value,if charging continued over 7 hours or temperature is 20% less than the top , close the test .
2	强制放电 Forced-Discharge	不起火、不爆炸、不漏液 No fire 、 No explosion No leakage	电池以 0.5C 标准恒流恒压充电至 4.3V，截止电流 0.02C，然后以 1C 恒流放电 90 min 或者电压为 0V，观察 1h。 The battery is charged to 4.3V at 0.5C constant current, charged to cutoff current of 0.02C at constant voltage, and discharged at 1C for 90 min or the voltage of 0V, then observe for 1h.
3	短路 Short Circuit	不起火、不爆炸 No fire No explosion	电池以 0.5C 标准恒流恒压充电至 4.3V，截止电流 0.02C，将其正负极用线缆（线路总电阻5mΩ以内）短接 10min，观察 1 h。 The battery is charged to 4.3V at 0.5C constant current, charged to cutoff current of 0.02C at constant voltage, put the battery into a ventilation cabinet and connect the positive and negative terminals directly by a 80±20 mΩ wire for 10min at 25±5℃， then observe for at least 1h.
4	跌落 Dropping	不起火、不爆炸、不漏液 No fire 、 No explosion No leakage	电池以 0.5C 标准恒流恒压充电至 4.3V，截止电流 0.02C，从 1 m 高处由落体跌落于水泥地上，每个面跌落一次。 The battery is charged to 4.3V at 0.5C constant current, charged to cutoff current of 0.02C at constant voltage. Free fall from a height of 1m to the cement ground, one drop on each surface .



南屋科技（广州）有限公司
Nanwu Technology (Guangzhou) Co., Ltd

NNC9071180 20Ah 电池产品规格书
Lithium-ion NNC 9071180 20Ah
Cell Product Specification

File No:

Version: A1

5	加热 Thermal stability	不起火、不爆炸 No fire、No explosion	<p>电池以 0.5C 标准恒流恒压充电至 4.3V，截止电流 0.02C，放入温箱中以 5 °C/min 的速率升至 130 °C 并保持 30 min 后停止加热，观察 1 h。</p> <p>The battery is charged to 4.3V at 0.5C constant current, charged to cutoff current of 0.02C at constant voltage. Put the battery into an oven and heating from room temperature to 130±2°C at the rate of 5±2°C/min, then observe for at least 1h.</p>
6	挤压 Crushing	不起火、不爆炸、 No fire、 No explosion	<p>电池以 0.5C 标准恒流恒压充电至 4.3V，截止电流 0.02C。在电池的正反面上各放1个平面，两平板间施加 13±0.78KN的挤压力，用0.1mm/s 的速度挤压电池，一旦压力到达最大值或者电压下降30%停止挤压，保持10分钟，观察 1 h。</p> <p>The battery is charged to 4.3V at 0.5C constant current, charged to cutoff current of 0.02C at constant voltage . Put a plane on the front and back of the battery, apply a extrusion pressure of 13±0.78KN between the two plates, and squeeze the battery at a speed of 0.1mm/s. Once the pressure reaches the top value or the voltage drops by 30%, stop the extrusion, keep it for 10 minutes, observe for 1 h.</p>
7	低气压 Low pressure	不起火、不爆炸、 不漏液 No fire、 No explosion No leakage	<p>电池以 0.2C 标准恒流恒压充电至 4.3V，截止电流 0.02C，然后将电池放入低气压箱中，调节试验箱中气压为11.6kPa，温度为室温，静置6h。</p> <p>The battery is charged to 4.3V at 0.2C constant current, charged to cutoff current of 0.02C at constant voltage .then test batteries shall be stored at a pressure of 11.6kPa or less for at least six hours at ambient temperature.</p>



6. 外观检查 Visual Inspection

不允许有任何影响电池性能的外观缺陷，如裂纹、裂缝、泄漏等。

There shall be no such defects as scratch, flaw, crack, and leakage, which may adversely affect the commercial value of the cell.

7. 标准测试环境 Standard Test Conditions

除非特别说明，本规格书中所有测试均在以下环境条件下进行：

Unless otherwise specified, all tests in this Product Specification are conducted at below conditions:

温度 Temperature: $25 \pm 3^{\circ}\text{C}$

湿度 Humidity: $\leq 75\% \text{RH}$

大气压 Atmosphere: $86\text{KPa} \sim 106\text{KPa}$

8. 包装 Packaging

8.1 电池的包装应符合防潮防震的要求，详细包装如下：

The cell shall be packed in accordance with the requirements of moisture-proof and shock-proof. The detailed packaging is as follows:

- 单个电池使用无色塑料托盘存放，每盘 3 只；
- Cell is stored in a colorless plastic tray, and there are 4 cells in every tray;
- 外包装为纸箱，每箱 10 盘，共 30 只。
- The outer packing is carton, where 30 pieces cells in 10 trays per carton is.

8.2 包装箱内应装入随同产品提供的文件：

The packing case shall contain the documents provided with the products:

- 装箱单（指一批多箱包装时） Packing list (refers to a batch of multiple boxes);
- 产品合格证 Product certificate;
- 产品检验报告 Product inspection report.

9. 标识 Identification

9.1 单体电池产品上应有下列标识：

Cell product shall have the following marks:

- 额定容量 Rated capacity
- 极性符号+、- Polar symbol: +/-
- 产品条码（信息包含产品型号、批号、生产日期信息）
Product barcode (information including product model, batch number and date of production)

9.2 包装箱外壁应有下列标志：

Each packing case shall be marked with:

- 产品名称（锂离子电池）、产品型号、产品批号、产品等级、数量、物料编码
Product name (solid lithium ion cell), product model, product batch number, product grade, quantity, material code
- 标明防潮、不准倒置、轻放等标志 Moisture-proof, no upside-down and other signs
- 制造商或商标 Manufacturer or trademark

	南屋科技（广州）有限公司 Nanwu Technology (Guangzhou) Co., Ltd	
	NNC9071180 20Ah电池产品规格书 Lithium-ion NNC 9071180 20Ah Cell Product Specification	File No: Version: A1

10. 存储及其他事项 Storage and Others

10.1 长期储存 Long Time Storage:

长期储存的电池（超过3个月）须置于干燥、凉爽处，每6个月对电池进行一次充放电，储存电压为3.45~3.55V，且充放电环境要求如7所述。

If the cell is to be stored for a long time (over 3 months), the cell should be stored in dry and cool place. The cell should be charged and discharged every six month. The cell's storage voltage should be 3.45~3.55V and the cell is to be stored at the condition as NO.7.

10.2 其他事项 Others:

任何本规格书中未提及的事项，须经双方协商确定。

Any matters which have not been covered in this specification should be conferred between the customer and **Shanghai Tairui Lithium Technology Co., Ltd.**

11. 保质期及产品责任 Warranty Period and Product Liability

11.1 保质期 Warranty

保质期是从客户验收开始起 12 个月。

Warranty period of this product is 12 months from the production date.

11.2 产品责任 Product Liability

南屋科技（广州）有限公司对因没有按本规格书规定操作而导致的意外不负责任，当本规格书有一些变动时，本公司会通知购买方。

Nanwu Technology (Guangzhou) Co., Ltd is not responsible for the troubles caused by mishandling of the cell which is clearly against the instructions in this specification. WeLion will notify our customers if there are any changes of the product specification.

12. 文件有效期 Validity Period of Documents

本文件自发布之日至下次修正日止。

The validaiton for this document is from the issue date to the date of the next revision.

13. 保密 Confidentiality

本产品规格书在没有得到南屋科技（广州）有限公司的许可时，不能向第三方泄露，禁止复印或转载。

This product specification shall not be disclosed to any third party without the permission of Nanwu Technology (Guangzhou) Co., Ltd; nor shall it be copied or reproduced.

14. 警告及注意事项 Warnings and Cautions

14.1 不要将电池投入火中或加热； Do not put the cell into the fire or a heater;



南屋科技（广州）有限公司
Nanwu Technology (Guangzhou) Co., Ltd

NNC9071180 20Ah电池产品规格书
Lithium-ion NNC 9071180 20Ah
Cell Product Specification

File No:

Version: A1

- 14.2 不要将电池分解拆散； Do not dismantle the cell;
- 14.3 严禁将电池浸入海水或水中，保存不用时，应放置于阴凉干燥的环境中；
Do not immerse the cell in water or seawater, keep the cell in a cool dry environment if it stands by;
- 14.4 禁止将电池放在热源旁，如火、加热器等；
Do not use or leave the cell near sources of heat such as a fire or heater;
- 14.5 充电时请选用锂离子电池专用充电器；
Use the charger specifically for lithium-ion cell when recharging;
- 14.6 严禁颠倒正负极使用电池； Do not reverse the position and negative terminals;
- 14.7 严禁将电池直接插入电源插座； Do not connect the cell directly to an electrical outlet;
- 14.8 禁止用金属直接连接电池正负极短路；
Do not short-circuit the cell by directly connecting the positive and negative terminals with metal objects;
- 14.9 禁止将电池与金属（如发夹、项链等）一起运输或贮存；
Do not transport or store the cell together with metal objects such as hairpins, necklaces, etc;
- 14.10 禁止敲击或抛掷、踩踏电池等；
Do not strike, trample or throw the cell, etc;
- 14.11 禁止直接焊接电池和用钉子或其它利器刺穿电池；
Do not directly solder the cell and pierce the cell with a nail or other sharp objects;
- 14.12 禁止在高温下（炙热的阳光下或很热的汽车中）使用或放置电池，否则可能会引起电池过热、起火或功能失效、寿命减短；
Do not use or leave the cell at high temperature (for example, under the hot sunlight or in a hot vehicle).
Otherwise, it can overheat, catch fire, or suffer from performance and life degradation;
- 14.13 禁止在强静电和强磁场的地方使用，否则易破坏电池安全保护装置，带来不安全的隐患；
Do not use the cell in a location with strong electrostatic field or magnetic field. Otherwise, the safety protective device may be damaged, causing safety hazard;
- 14.14 如果电池发生泄露，电解液进入眼睛，请不要揉擦，应用清水冲洗眼睛，并立即送医治疗；
If the cell leaks and the electrolyte gets into the eyes, do not rub the eyes, instead, rinse the eyes with clean water, and immediately seek medical attention so as not to cause more injury to your eyes;
- 14.15 如果电池发出异味、发热、变色、变形或使用、贮存、充电过程中出现任何异常，立即将电池从装置或充电器中移离并停用；
If the cell gives off an odor, generates heat, becomes discolored or deformed, or in any way appear abnormal during use, recharging or storage, immediately remove it from the device or cell charger and stop using it;
- 14.16 废弃之电池应用绝缘纸包住电极以防起火、爆炸；



南屋科技（广州）有限公司
Nanwu Technology (Guangzhou) Co., Ltd

NNC9071180 20Ah电池产品规格书
Lithium-ion NNC 9071180 20Ah
Cell Product Specification

File No:

Version: A1

Be aware that abandoned batteries may cause fire or explosion, tape the cell terminals to insulate them;

14.17 如果电池极柱弄脏，使用前应用干布抹净，否则可能会导致接触不良功能失效。

If the cell terminals are stained, clean the terminals with a dry cloth before use. Otherwise performance degradation may be caused due to the poor connection.